

TMT

TC

TMA

SILVER

Multi-deck steam tube tunnel oven

SILVER

Cyclotherm tunnel oven

SILVER

Multi-deck convection tunnel oven



TMT

SILVER

Multi-deck steam tube tunnel oven



The Mecateck multi-deck steam tube tunnel oven, Silver TMT, is the new generation of automatic steam tube ovens. Its new steam tube sections design allows optimal heat exchange and a perfect heat distribution inside each baking chamber. The powerful steaming system supplies a very fine and even steaming on the product.

Thanks to these innovations, combined with a perfect thermal insulation, the use of high quality components and a great accuracy in manufacturing, the artisan quality baking makes a great step forward at industrial capacity level.

Benefits:

- High heat retention and strong bottom heat, ideal for crusty products.
- Very low fuel consumption; temperature of exhaust fumes close to baking temperatures.
- Floor space saving: large baking surfaces with a small footprint.

Suitable for:

- Baking bread loaves, rolls in trays and tin bread.

Baking temperatures range from 210 °C to 280 °C.



HEATING SYSTEM

The heating of the baking chambers is performed by a ring shaped steam pipe closed circuit. The tubes are made of special cold drawn steel and certified UNI 663.

FUEL

The furnace or furnaces depending on the model are heated by burners fueled by Gas / Oil / LPG or in some cases from solid fuel burners (pellets).

CONVEYORS

The oven can be equipped with wire-mesh baking conveyor, steel plate conveyor or refractory slabs conveyor.



STEAM GENERATOR

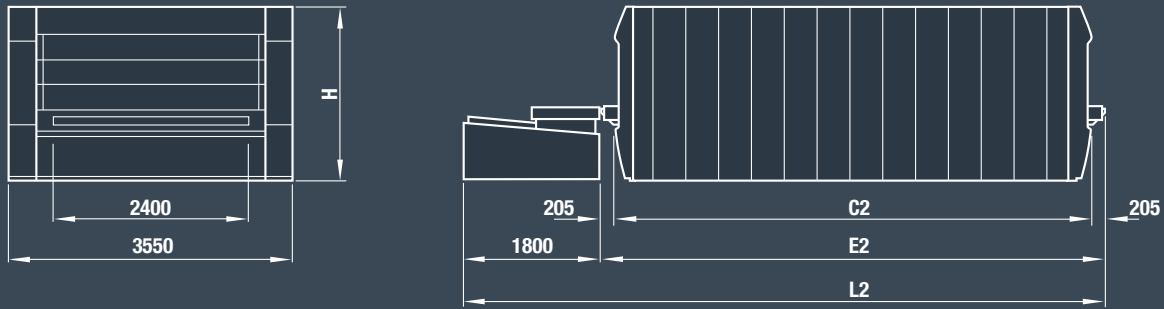
The steam to be supplied to the product during baking must be supplied by an independent boiler. The oven does not generate steam.

HOODS, LOADING AND UNLOADING FACADES

In stainless steel AISI 304. Large hoods complete with vapour extractor.

CONTROL SYSTEM

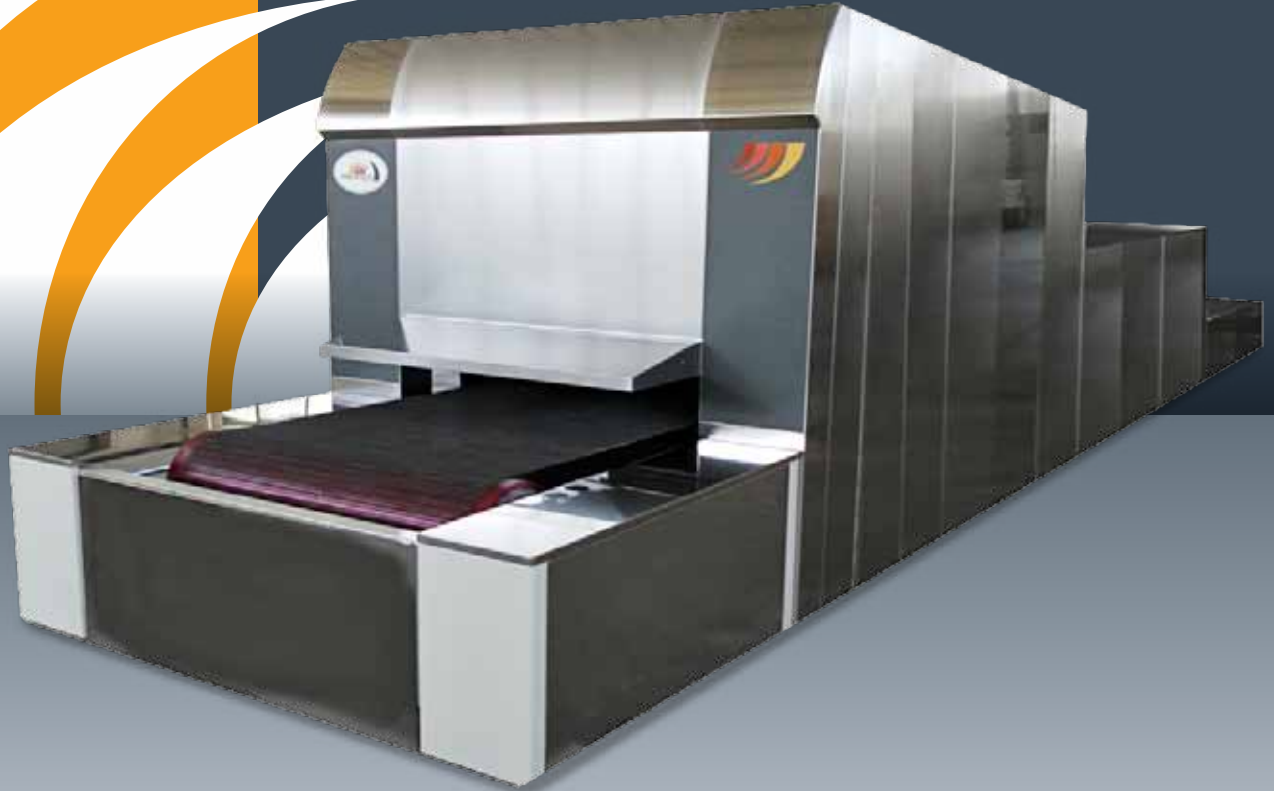
Fully computerized 10" front touch-screen main panel and 5.5" rear auxiliary touch panel. The electrical board always includes a modem for on line connection to the MECATECK service center for a quick and safe diagnosis.



MODEL	DECKS #	BAKING SURFACE m ²	THERMAL POWER				CONVEYOR WIDTH		OVERALL DIMENSIONS				WEIGHT KG	
			FRONT		REAR		USEFUL width	ROLLER pitch	C 2	E 2	L 2	H		
			Kcal/h	KW	Kcal/h	KW	mm	mm	mm	mm	mm	mm		
SILVER TMT/T1 - 3 CHAMBERS														
T1 / 3C	TR1 12/3	3	26,5	165.000	195	---	---	2.400	3.675	6.125	6.535	8.335	2.300	18.550
	TR1 14/3	3	29,9	195.000	230	---	---	2.400	4.155	6.655	7.065	8.865	2.300	21.750
	TR1 16/3	3	33,7	225.000	265	---	---	2.400	4.685	7.185	7.595	9.395	2.300	24.950
	TR1 18/3	3	37,5	250.000	290	---	---	2.400	5.215	7.715	8.125	9.925	2.300	28.150
	TR1 20/3	3	41,4	275.000	320	---	---	2.400	5.745	8.245	8.655	10.455	2.300	31.350
	TR1 22/3	3	45,2	300.000	350	---	---	2.400	6.275	8.775	9.185	10.985	2.300	34.550
TR1 24/3	3	49,0	330.000	390	---	---	2.400	6.805	9.305	9.715	11.515	2.300	37.750	
SILVER TMT/T2 - 3 CHAMBERS														
T2 / 3C	TR2-TM2 26/3	3	53,0	195.000	230	165.000	195	2.400	7.365	9.835	10.245	12.045	2.300	40.950
	TR2-TM2 28/3	3	56,8	225.000	265	165.000	195	2.400	7.895	10.365	10.775	12.575	2.300	44.550
	TR2-TM2 30/3	3	60,7	250.000	290	180.000	210	2.400	8.425	10.895	11.305	13.105	2.300	48.150
	TR2-TM2 32/3	3	64,5	250.000	290	195.000	230	2.400	8.955	11.425	11.835	13.635	2.300	51.750
	TR2-TM2 34/3	3	68,3	275.000	320	210.000	250	2.400	9.485	11.955	12.365	14.165	2.300	55.350
	TR2-TM2 36/3	3	72,1	275.000	320	225.000	265	2.400	10.015	12.485	12.895	14.695	2.300	58.950
	TR2-TM2 38/3	3	75,9	275.000	320	250.000	295	2.400	10.545	13.015	13.425	15.225	2.300	62.550
	TR2-TM2 40/3	3	79,7	300.000	350	250.000	295	2.400	11.075	13.545	13.955	15.755	2.300	66.150
	TR2-TM2 42/3	3	83,6	300.000	350	275.000	320	2.400	11.605	14.075	14.485	16.285	2.300	69.750
	TR2-TM2 44/3	3	87,4	330.000	390	275.000	320	2.400	12.135	14.605	15.015	16.815	2.300	73.350
	TR2-TM2 46/3	3	91,2	330.000	390	300.000	350	2.400	12.665	15.135	15.545	17.345	2.300	76.950
	TR2-TM2 48/3	3	95,0	330.000	390	330.000	390	2.400	13.195	15.665	16.075	17.875	2.300	80.550
TR2-TM2 50/3	3	98,8	360.000	420	330.000	390	2.400	13.725	16.195	16.605	18.405	2.300	84.150	
SILVER TMT/T2 - 4 CHAMBERS														
T2 / 4C	TR2-TM2 26/4	4	70,7	260.000	305	175.000	205	2.400	7.365	9.835	10.245	12.045	2.800	51.450
	TR2-TM2 28/4	4	75,8	285.000	330	185.000	215	2.400	7.895	10.365	10.775	12.575	2.800	54.950
	TR2-TM2 30/4	4	80,9	310.000	360	190.000	220	2.400	8.425	10.895	11.305	13.105	2.800	58.450
	TR2-TM2 32/4	4	86,0	330.000	390	200.000	235	2.400	8.955	11.425	11.835	13.635	2.800	61.950
	TR2-TM2 34/4	4	91,1	350.000	410	220.000	260	2.400	9.485	11.955	12.365	14.165	2.800	65.450
	TR2-TM2 36/4	4	96,1	370.000	430	230.000	270	2.400	10.015	12.485	12.895	14.695	2.800	68.950
	TR2-TM2 38/4	4	101,2	370.000	430	250.000	290	2.400	10.545	13.015	13.425	15.225	2.800	72.450
	TR2-TM2 40/4	4	106,3	380.000	440	270.000	315	2.400	11.075	13.545	13.955	15.755	2.800	75.950
	TR2-TM2 42/4	4	111,4	380.000	440	300.000	350	2.400	11.605	14.075	14.485	16.285	2.800	79.450
	TR2-TM2 44/4	4	116,5	380.000	440	330.000	390	2.400	12.135	14.605	15.015	16.815	2.800	82.950
	TR2-TM2 46/4	4	121,6	390.000	455	360.000	420	2.400	12.665	15.135	15.545	17.345	2.800	86.450
	TR2-TM2 48/4	4	126,7	400.000	465	390.000	455	2.400	13.195	15.665	16.075	17.875	2.800	89.950
TR2-TM2 50/4	4	131,8	410.000	475	400.000	465	2.400	13.725	16.195	16.605	18.405	2.800	93.450	
SILVER TMT/TC - 3 CHAMBERS														
TC / 3C	TC1 20/3	3	42,8	345.000	400	---	---	2.400	6.005	8.445	8.905	10.705	2.800	40.250
	TC1 22/3	3	46,6	370.000	430	---	---	2.400	6.535	8.975	9.435	11.235	2.800	44.350
	TC1 24/3	3	51,2	405.000	470	---	---	2.400	7.065	9.505	9.965	11.765	2.800	48.100
	TC2 24/3	3	51,2	240.000	280	165.000	195	2.400	7.065	9.505	9.965	11.765	2.800	48.450
	TC2 26/3	3	54,2	265.000	310	175.000	205	2.400	7.595	10.035	10.495	12.295	2.800	52.200
	TC2 28/3	3	58,0	285.000	330	185.000	215	2.400	8.125	10.565	11.025	12.825	2.800	55.950
	TC2 30/3	3	61,8	310.000	360	195.000	220	2.400	8.655	11.095	11.555	13.355	2.800	59.700
	TC2 32/3	3	65,7	330.000	390	200.000	235	2.400	9.185	11.625	12.085	13.885	2.800	63.450
	TC2 34/3	3	69,5	350.000	410	210.000	250	2.400	9.715	12.155	12.615	14.415	2.800	67.200
	TC2 36/3	3	73,3	370.000	430	220.000	260	2.400	10.245	12.685	13.145	14.945	2.800	70.950
	TC2 38/3	3	77,1	370.000	430	250.000	290	2.400	10.775	13.215	13.675	15.475	2.800	74.700
	TC2 40/3	3	80,9	380.000	440	270.000	315	2.400	11.305	13.745	14.205	16.005	2.800	78.450
	TC2 42/3	3	84,7	380.000	440	300.000	350	2.400	11.835	14.275	14.735	16.535	2.800	82.200
	TC2 44/3	3	88,6	380.000	440	330.000	390	2.400	12.365	14.805	15.265	17.065	2.800	85.950
TC2 46/3	3	92,4	390.000	455	360.000	420	2.400	12.895	15.335	15.795	17.595	2.800	89.700	

TC

SILVER Cyclotherm tunnel oven



The Mecateck cyclotherm (Indirect) tunnel oven, Silver TC, is an extremely flexible oven, which can be used for baking a wide product range: hearth baked loaves, rolls on trays, breadsticks, tin bread, rusks (biscottes), pastry, croissants, cupcakes, layer cakes, pies, American type pizzas.

Features:

- High product development, very gradual and uniform baking.
- Each baking zone can be controlled independently.
- Thanks to its modular structure, oven sections can be combined to create the ideal baking temperature curve.
- Simple operations and control.
- Easy and cost effective maintenance.

Baking temperatures range from 150 °C to 280 °C



HEATING SYSTEM

Heat is supplied by radiating tubes placed inside the baking chamber, over and under the conveyor. The oven operates on the principle of hot gases, generated by a burner, circulating inside a closed circuit (cyclotherm system).

TURBOLENCE ZONES

Turbulence zones providing convection heat are also available on request.

CONVEYORS

The oven can be equipped with wire-mesh baking conveyor, steel plate conveyor, stone slabs conveyor or OGB type conveyor.



STEAMING SYSTEM

A powerful steaming unit is available as an option.

HOODS, LOADING AND UNLOADING FACADES

In stainless steel AISI 304. Large hoods complete with vapour extractor.

CONTROL SYSTEM

Fully computerized 10" touch-screen main panel. The electrical board always includes a modem for on line connection to the MECATECK service center for a quick and safe diagnosis.

OVEN RANGE 0820

- Width from 800 up to 2.000 mm.
- Length of baking zones: up to 12 m.
- Suitable for biscuits, cookies, cakes, pastry, bread.
- Baking temperatures range: 150 °C – 280 °C.
- Baking conveyor height: 700 mm or higher, on request. With a steel band conveyor, height is related to the total oven length.

OVEN RANGE 2040

- Width from 2.000 mm up to 4.000 mm.
- Length of baking zones: 5, 7,5 or 10 m.
- Baking temperatures range: 150 °C – 280 °C.
- Suitable for hearth bread, tin bread, rolls, pastry, cakes, rusks (biscottes).
- Baking conveyor height: 850 mm or higher, on request.
- Oven full automation available, on request (dampers and steam exhaust valves driven by servomotors and controlled by the PLC).



TMA

SILVER

Multi-deck convection tunnel oven



The Mecateck multi-deck tunnel oven, Silver TMA, is an indirectly heated convection oven.

The forced hot air flow around the product boosts heat exchange, reducing considerably the baking time and ensures extremely even temperatures inside the baking chambers.

The multi-deck configuration provides large baking surfaces with small footprint allowing the installation of this oven also in facilities where floor space is an issue.

Suitable for:

- Baking bread products, pastry, croissants, cupcakes, pies.
- Pasteurization of baked products.

Baking temperatures range from 60 °C to 300 °C.

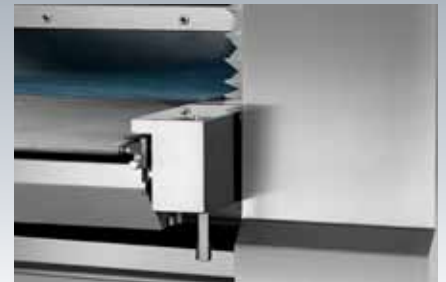


MODULAR CONSTRUCTION

The oven has a modular construction with standard section lengths of 3 or 3,5 meters. Baking widths: 2400 mm and 3200 mm.

HEATING SYSTEM

Each module is an individual heating zone, equipped with burner, heat exchanger, and two ventilators positioned on top the oven. From there, the hot air is sent through side ducts to plenums, placed inside each baking chamber over and under the baking conveyor, for the air distribution.

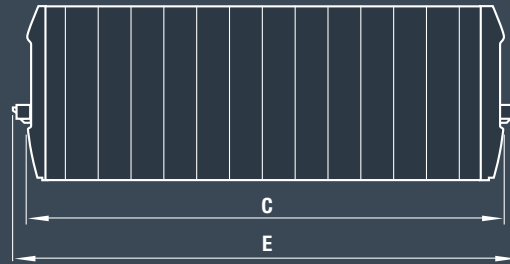
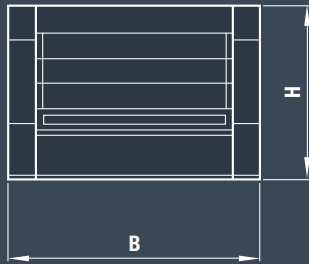


HOODS, LOADING AND UNLOADING FACADES

In stainless steel AISI 304. Large hoods complete with vapour extractor.

CONTROL SYSTEM

Fully computerized 10" front touch-screen main panel and 5.5" rear touch panel. The electrical board always includes a modem for on line connection to the MECATECK service center for a quick and safe diagnosis.



MODEL	BAKING	DECKS		THERMAL POWER		ELECTRIC POWER	SECTORS			ROLLERS	OVERALL DIMENSIONS				
	SURFACE	N°	height	Kcal/h	KW	KW	N°	width	depth	PITCH	B	C	E	H	
	m²	#	mm				#	mm	mm	mm	mm	mm	mm	mm	mm
SILVER TMA - 4 CHAMBERS															
2400	TMA-4-1-24	28,8	4	180	175.000	200	24	1	2.400	3.000	4.725	4.400	8.000	8.250	4.200
	TMA-4-2-24	57,6	4	180	350.000	400	31	2	2.400	6.000	7.725	4.400	11.000	11.250	4.200
	TMA-4-3-24	86,4	4	180	525.000	600	38	3	2.400	9.000	10.725	4.400	14.000	14.250	4.200
	TMA-4-4-24	115,2	4	180	700.000	800	45	4	2.400	12.000	13.725	4.400	17.000	17.250	4.200
	TMA-4-5-24	144,0	4	180	875.000	1.000	52	5	2.400	15.000	16.725	4.400	20.000	20.250	4.200
	TMA-4-6-24	172,8	4	180	1.050.000	1.200	59	6	2.400	18.000	19.725	4.400	23.000	23.250	4.200
	TMA-4-7-24	201,6	4	180	1.225.000	1.400	66	7	2.400	21.000	22.725	4.400	26.000	26.250	4.200
	TMA-4-8-24	230,4	4	180	1.400.000	1.600	73	8	2.400	24.000	25.725	4.400	29.000	29.250	4.200
3200	TMA-4-1-32	38,4	4	180	215.000	250	29	1	3.200	3.000	4.725	5.200	8.000	8.250	4.200
	TMA-4-2-32	76,8	4	180	430.000	500	41	2	3.200	6.000	7.725	5.200	11.000	11.250	4.200
	TMA-4-3-32	115,2	4	180	645.000	750	53	3	3.200	9.000	10.725	5.200	14.000	14.250	4.200
	TMA-4-4-32	153,6	4	180	860.000	1.000	65	4	3.200	12.000	13.725	5.200	17.000	17.250	4.200
	TMA-4-5-32	192,0	4	180	1.075.000	1.250	77	5	3.200	15.000	16.725	5.200	20.000	20.250	4.200
	TMA-4-6-32	230,4	4	180	1.290.000	1.500	89	6	3.200	18.000	19.725	5.200	23.000	23.250	4.200
	TMA-4-7-32	268,8	4	180	1.505.000	1.750	101	7	3.200	21.000	22.725	5.200	26.000	26.250	4.200
	TMA-4-8-32	307,2	4	180	1.720.000	2.000	113	8	3.200	24.000	25.725	5.200	29.000	29.250	4.200
SILVER TMA - 3 CHAMBERS															
2400	TMA-3-1-24	21,6	3	180	130.000	150	24	1	2.400	3.000	4.725	4.400	8.000	8.250	3.600
	TMA-3-2-24	43,2	3	180	260.000	300	31	2	2.400	6.000	7.725	4.400	11.000	11.250	3.600
	TMA-3-3-24	64,8	3	180	390.000	450	38	3	2.400	9.000	10.725	4.400	14.000	14.250	3.600
	TMA-3-4-24	86,4	3	180	520.000	600	45	4	2.400	12.000	13.725	4.400	17.000	17.250	3.600
	TMA-3-5-24	108,0	3	180	650.000	750	52	5	2.400	15.000	16.725	4.400	20.000	20.250	3.600
	TMA-3-6-24	129,6	3	180	780.000	900	59	6	2.400	18.000	19.725	4.400	23.000	23.250	3.600
	TMA-3-7-24	151,2	3	180	910.000	1.050	66	7	2.400	21.000	22.725	4.400	26.000	26.250	3.600
	TMA-3-8-24	172,8	3	180	1.040.000	1.200	73	8	2.400	24.000	25.725	4.400	29.000	29.250	3.600
3200	TMA-3-1-32	28,8	3	180	175.000	200	29	1	3.200	3.000	4.725	5.200	8.000	8.250	3.600
	TMA-3-2-32	57,6	3	180	350.000	400	41	2	3.200	6.000	7.725	5.200	11.000	11.250	3.600
	TMA-3-3-32	86,4	3	180	525.000	600	53	3	3.200	9.000	10.725	5.200	14.000	14.250	3.600
	TMA-3-4-32	115,2	3	180	700.000	800	65	4	3.200	12.000	13.725	5.200	17.000	17.250	3.600
	TMA-3-5-32	144,0	3	180	875.000	1.000	77	5	3.200	15.000	16.725	5.200	20.000	20.250	3.600
	TMA-3-6-32	172,8	3	180	1.050.000	1.200	89	6	3.200	18.000	19.725	5.200	23.000	23.250	3.600
	TMA-3-7-32	201,6	3	180	1.225.000	1.400	101	7	3.200	21.000	22.725	5.200	26.000	26.250	3.600
	TMA-3-8-32	230,4	3	180	1.400.000	1.600	113	8	3.200	24.000	25.725	5.200	29.000	29.250	3.600
SILVER TMA - 2 CHAMBERS															
2400	TMA-2-1-24	14,4	2	180	86.000	100	22,5	1	2.400	3.000	4.725	4.400	8.000	8.250	3.100
	TMA-2-2-24	28,8	2	180	172.000	200	28	2	2.400	6.000	7.725	4.400	11.000	11.250	3.100
	TMA-2-3-24	43,2	2	180	258.000	300	33,5	3	2.400	9.000	10.725	4.400	14.000	14.250	3.100
	TMA-2-4-24	57,6	2	180	344.000	400	39	4	2.400	12.000	13.725	4.400	17.000	17.250	3.100
	TMA-2-5-24	72,0	2	180	430.000	500	44,5	5	2.400	15.000	16.725	4.400	20.000	20.250	3.100
	TMA-2-6-24	86,4	2	180	516.000	600	50	6	2.400	18.000	19.725	4.400	23.000	23.250	3.100
	TMA-2-7-24	100,8	2	180	602.000	700	55,5	7	2.400	21.000	22.725	4.400	26.000	26.250	3.100
	TMA-2-8-24	115,2	2	180	688.000	800	61	8	2.400	24.000	25.725	4.400	29.000	29.250	3.100
3200	TMA-2-1-32	19,2	2	180	130.000	150	26	1	3.200	3.000	4.725	5.200	8.000	8.250	3.100
	TMA-2-2-32	38,4	2	180	260.000	300	35	2	3.200	6.000	7.725	5.200	11.000	11.250	3.100
	TMA-2-3-32	57,6	2	180	390.000	450	44	3	3.200	9.000	10.725	5.200	14.000	14.250	3.100
	TMA-2-4-32	76,8	2	180	520.000	600	53	4	3.200	12.000	13.725	5.200	17.000	17.250	3.100
	TMA-2-5-32	96,0	2	180	650.000	750	62	5	3.200	15.000	16.725	5.200	20.000	20.250	3.100
	TMA-2-6-32	115,2	2	180	780.000	900	71	6	3.200	18.000	19.725	5.200	23.000	23.250	3.100
	TMA-2-7-32	134,4	2	180	910.000	1.050	80	7	3.200	21.000	22.725	5.200	26.000	26.250	3.100
	TMA-2-8-32	153,6	2	180	1.040.000	1.200	89	8	3.200	24.000	25.725	5.200	29.000	29.250	3.100
SILVER TMA - 2 CHAMBERS "XL"															
2400	TMA-2-1-24	22,5	2	180	86.000	100	22,5	1	2.500	4.500	4.725	4.400	8.000	8.250	3.100
	TMA-2-2-24	45,0	2	180	172000	200	28	2	2.500	9.000	7.725	4.400	11.000	11.250	3.100
	TMA-2-3-24	67,5	2	180	258000	300	33,5	3	2.500	13.500	10.725	4.400	14.000	14.250	3.100
	TMA-2-4-24	90,0	2	180	344000	400	39	4	2.500	18.000	13.725	4.400	17.000	17.250	3.100
	TMA-2-5-24	112,5	2	180	430000	500	44,5	5	2.500	22.500	16.725	4.400	20.000	20.250	3.100
	TMA-2-6-24	135,0	2	180	516000	600	50	6	2.500	27.000	19.725	4.400	23.000	23.250	3.100
3200	TMA-2-1-32	28,8	2	180	130.000	150	26	1	3.200	4.500	4.725	5.200	8.000	8.250	3.100
	TMA-2-2-32	57,6	2	180	260000	300	35	2	3.200	9.000	7.725	5.200	11.000	11.250	3.100
	TMA-2-3-32	86,4	2	180	390000	450	44	3	3.200	13.500	10.725	5.200	14.000	14.250	3.100
	TMA-2-4-32	115,2	2	180	520000	600	53	4	3.200	18.000	13.725	5.200	17.000	17.250	3.100
	TMA-2-5-32	144,0	2	180	650000	750	62	5	3.200	22.500	16.725	5.200	20.000	20.250	3.100
	TMA-2-6-32	172,8	2	180	780000	900	71	6	3.200	27.000	19.725	5.200	23.000	23.250	3.100



www.mecateck.com



Empire Bakery Equipment

1C Enterprise Place • Hicksville, NY 11801-5347
1-800-878-4070 • (516) 681-1500 • Fax (516) 681-1510
email: info@empirebake.com