

HIGH VOLUME BREAD SLICER **FULL**

Features

- ◆ Slices up to 1,000 loaves/hour
- ◆ Easily Handles Warm, Freshly Baked Bread Loaves
- ◆ Easily Slices 2 Loaves Simultaneously
- ◆ Adjustable Height Top In-feed System Accommodates Various Bread Heights
- ◆ Delivery Table and Air-Blowing System
- ◆ Manual Bread Pusher for the Last Loaf
- ◆ Easy to Read Loaf Counter on the Front Panel
- ◆ Heavy-Duty Frames & Individual Tensioning Blades
- ◆ Quiet, Trouble Free Operation
- ◆ Large, Accessible Crumb Tray
- ◆ Heavy Duty Casters, Two Locking
- ◆ Standard Slice Thickness include 7/16" (11mm), 1/2" (13mm), & 5/8" (16mm)

Options

- ◆ Adjustable Feed Chute Holds an additional 5-7 loaves
- ◆ 24" inch Discharge Belt (520 T3)
- ◆ Rotary Bagger



Semi-Industrial High Output Slicer

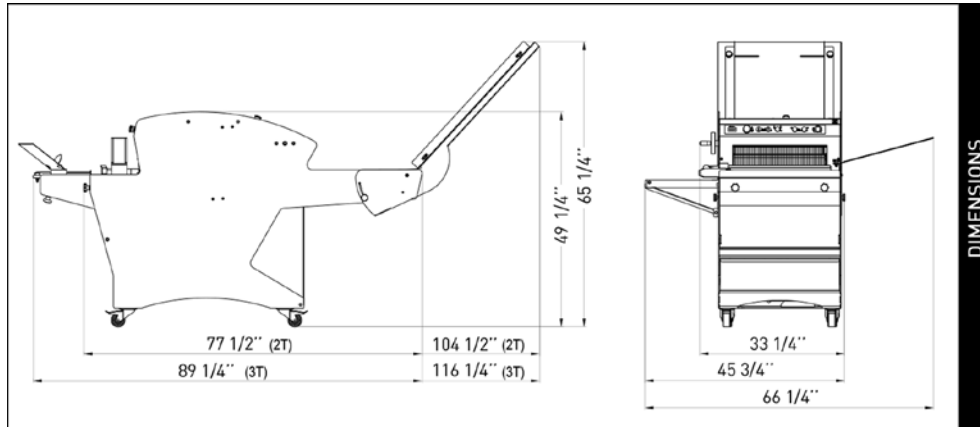
Easy to load and extremely reliable, this fully automatic, semi-industrial bread slicer is capable of cutting up to 1,000 loaves per hour. The optional high-capacity loading ramp features side guides and guide shoes for worry-free operation. With the addition of a 23.6" discharge belt and an ingenious rotating bagging spade, you'll be slicing and bagging bread faster and more efficiently than ever before! This makes the **FULL Bread Slicer** a quality investment for your highly-demanding application.



Technical Data

HIGH VOLUME BREAD SLICER FULL

	FULL 520 T2	FULL 520 T3
FEATURES		
Max. Loaf Dim. (L x H) (in inches)	20" x 6"	20" x 6"
Power Output (in kW)	1.1	1.1
Electrical	220v/3Ph (3A)	220v/3Ph (3A)
Net Weight (in Lbs.)	815	851
CHOICES AVAILABLE		
Slice Thickness (in inches)	7/16" to 5/8"	7/16" to 5/8"
Loaf Height	Normal	Normal
OPTIONS		
Feed Chute	•	•
Rotary Bagger	•	•
Discharge Belt		•



Easy to access drawer containing two durable, 8.72 gallon bins for crumb collection.



High-capacity ramp featuring side guides and shoes. Used to store and deliver loaves to the slicer.



This ingenious rotating bagging spade system will allow you to pack several loaves quickly.



Replace the delivery table and air-blown bagging system with an optional 23.6 inch discharge belt (520 T3)

LIMITED WARRANTY

This product is warranted to the original purchaser to be free from material and workmanship defects. This warranty extends for a period of one (1) year from the date of purchase on parts and labor and 90 days on electrical components. For additional information or if you have any questions, please do not hesitate to contact us toll free at 1-800-878-4070.

Please note, specifications are subject to change without notice as we continually work to improve our equipment.



1C Enterprise Place, Hicksville, NY 11801-5356 ♦ Ph: (516) 681-1500 ♦ Fx: (516) 681-1510
1-800-878-4070 ♦ www.empirebake.com ♦ info@empirebake.com