

REMOVABLE BOWL LIFT SR2

Features

- ◆ The perfect compliment to your Empire Removable Bowl Mixer
- ◆ Easy-to-use controls can be mounted on either side of the lift. (Specified at time of order)
- ◆ The durable hydraulic lifting device is smooth and reliable.
- ◆ Dual side discharges at various heights for discharge onto bench or into dough hopper.
- ◆ Standard maximum dumping height of 118.1".
- ◆ All models comply with ETL Standards for safety and sanitation.
- ◆ 208V/3Ph/60Hz Electric (standard). Other voltages are available.



Options

- ◆ Optional Bowl Jog Motor Available
- ◆ Extended Dumping Height
- ◆ Safety Cage in Silvery Grey Steel or Stainless Steel
- ◆ Dual Scraper with Hydraulic Arms

Need a Lift?

Enter the **SR Removable Bowl Lift**, the complete solution for the elevation and dumping of dough for further processing. A perfect compliment to Empire's line of Removable Bowl Spiral Mixers, the **SR Bowl Lift** can unload your product onto a table, dough bench, or into a variety of hoppers for automatic lines.

The heavy duty steel frame guarantees stability and durability, while the fast and quiet hydraulic system assures complete safety in handling and minimal maintenance.

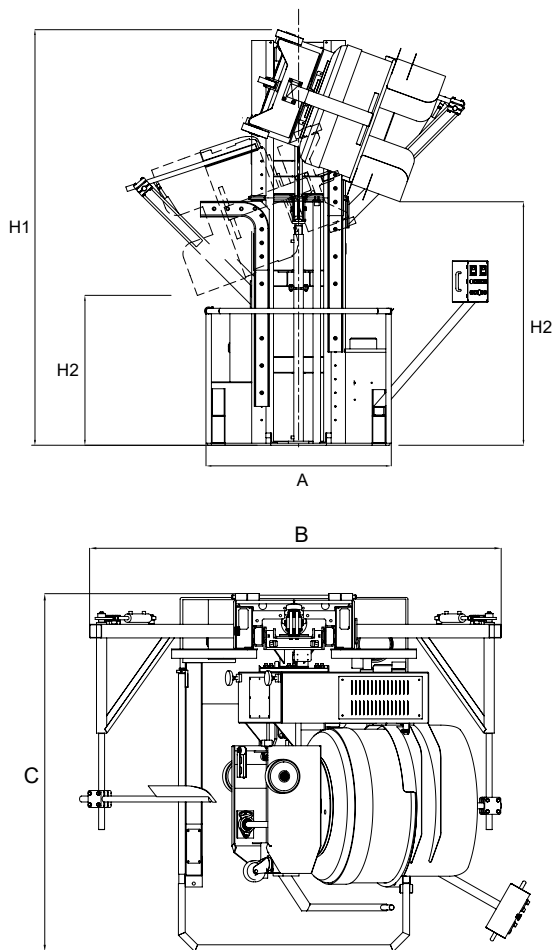


Technical Data

REMOVABLE BOWL LIFT SR2

All Models 208V 3-Phase 60 Cycle (Other voltages available)

Model	Dimensions (in.)					Weight	Power
	Width (A)	Width w/ Scrapers (B)	Depth (C)	Overall Height (H1)	Dump Height (H2)		
	in	in	in	in	in	lbs	Kw
SR2-120	53.5	95.3	82.7	98.4	45.3	3946	3.2
SR2-180	53.5	95.3	82.7	122.0	68.9	3946	3.2
SR2-220	53.5	95.3	82.7	137.8	84.6	3946	3.2
SR2-260	53.5	95.3	82.7	153.5	100.4	3946	3.2
SR2-300	53.5	95.3	82.7	169.3	116.1	3946	3.2



LIMITED WARRANTY

This product is warranted to the original purchaser to be free from material and workmanship defects. This warranty extends for a period of one (1) year from the date of purchase on parts and labor and 90 days on electrical components. For additional information or if you have any questions, please do not hesitate to contact us toll free at 1-800-878-4070.

Please note, specifications are subject to change without notice as we continually work to improve our equipment.



1C Enterprise Place, Hicksville, NY 11801-5356 ♦ Ph: (516) 681-1500 ♦ Fx: (516) 681-1510
 1-800-878-4070 ♦ www.empirebake.com ♦ info@empirebake.com