

TABLE-TOP COOKIE DEPOSITOR **BABYDROP/R**

Features

- ◆ Compact table-top design
- ◆ User-friendly 7" touch screen control panel
- ◆ Addition of Rotary Depositing with the BabyDrop-R
- ◆ Interchangeable heads; Your choice of either hard dough or fluid pump heads.
- ◆ Variable speed dosing motor
- ◆ Bidirectional advancement of the trays allows you to feed trays from the front or back
- ◆ Adjustable anti-dropping device for cleaner deposits
- ◆ Automatic starting controls
- ◆ Easy to clean quickly and thoroughly
- ◆ Wide range of nozzles and moulds available
- ◆ Optional fluid pump for soft dough and batters
- ◆ Output capacity ranging from 65 to 85 lbs/hr
- ◆ Voltage: 220V/60Hz/1ph/5A
- ◆ BISSC Certified Equipment

Options & Accessories

- ◆ Wide range of nozzles, moulds and dies available
- ◆ Additional heads for hard or soft doughs and batters available.

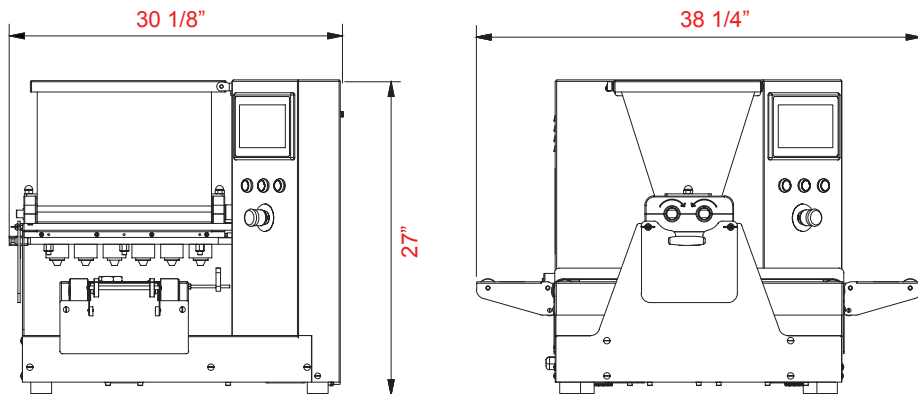


Compact Design, Full Sized Production

The *BabyDrop* & *BabyDrop-R* Cookie Depositors have been designed to be the most compact, versatile dropping machines available today. With intuitive, easy-to-use touch screen controls and a 200 recipe memory capacity the *BabyDrop* & *BabyDrop-R* are capable of producing up to 120 trays of consistent, high quality cookies per hour. With a large variety of nozzles and moulds available, the *BabyDrop* is extremely flexible. The *BabyDrop-R* takes that versatility even further with the addition of rotary drop nozzles. They are ideal for a wide range of pastries and cookies - including the wildly popular French Macrons and Meringues. The *BabyDrop* & *BabyDrop-R* Cookie Depositor's combination of cutting-edge technology and superior design is sure to save you time and money.

Technical Data

TABLE-TOP COOKIE DEPOSITOR **BABYDROP/R**



SPECIFICATIONS

Hopper Capacity (Liters)	24
Weight (Lbs.)	319
Power	220V / 1Ph / 5A



The Touch Screen Control Panel is intuitive, functional & very easy to use.



In addition to the standard hard dough dosing head, (left), the **BabyDrop** can also be equipped with an optional pump head for soft doughs and batters, (below).

BabyDrop-R features the addition of Rotary Depositing

A wide array of nozzles and moulds allows for an almost unlimited range of shapes and sizes.



LIMITED WARRANTY

This product is warranted to the original purchaser to be free from material and workmanship defects. This warranty extends for a period of one (1) year from the date of purchase on parts and labor and 90 days on electrical components. For additional information or if you have any questions, please do not hesitate to contact us toll free at 1-800-878-4070.

Please note, specifications are subject to change without notice as we continually work to improve our equipment.



1C Enterprise Place, Hicksville, NY 11801-5356 ♦ Ph: (516) 681-1500 ♦ Fx: (516) 681-1510
1-800-878-4070 ♦ www.empirebake.com ♦ info@empirebake.com