

## FRENCH BREAD MOULDER **EMP-FB**

### Features

- ◆ Easy to Read Digital Display
- ◆ Mould Loafs from 1.75 - 42.3 oz.
- ◆ Output up to 1,800 Loaves per Hour
- ◆ Front Roller Cover Safety Guard with Emergency Stop
- ◆ Non-Stick Rollers made of Durable Acetal Resin, Perfect for Intense Use
- ◆ Precise Roller and Belt Adjustment
- ◆ Easily Removable Belts
- ◆ Foldaway Delivery Tray and Space Saving Design
- ◆ Heavy-Duty Frame & Construction
- ◆ Accessible Design Makes Cleaning an Maintenance a Snap!



### Accessories

- ◆ Sturdy Base with Casters Available

### Boost Your Productivity The Easy Way!

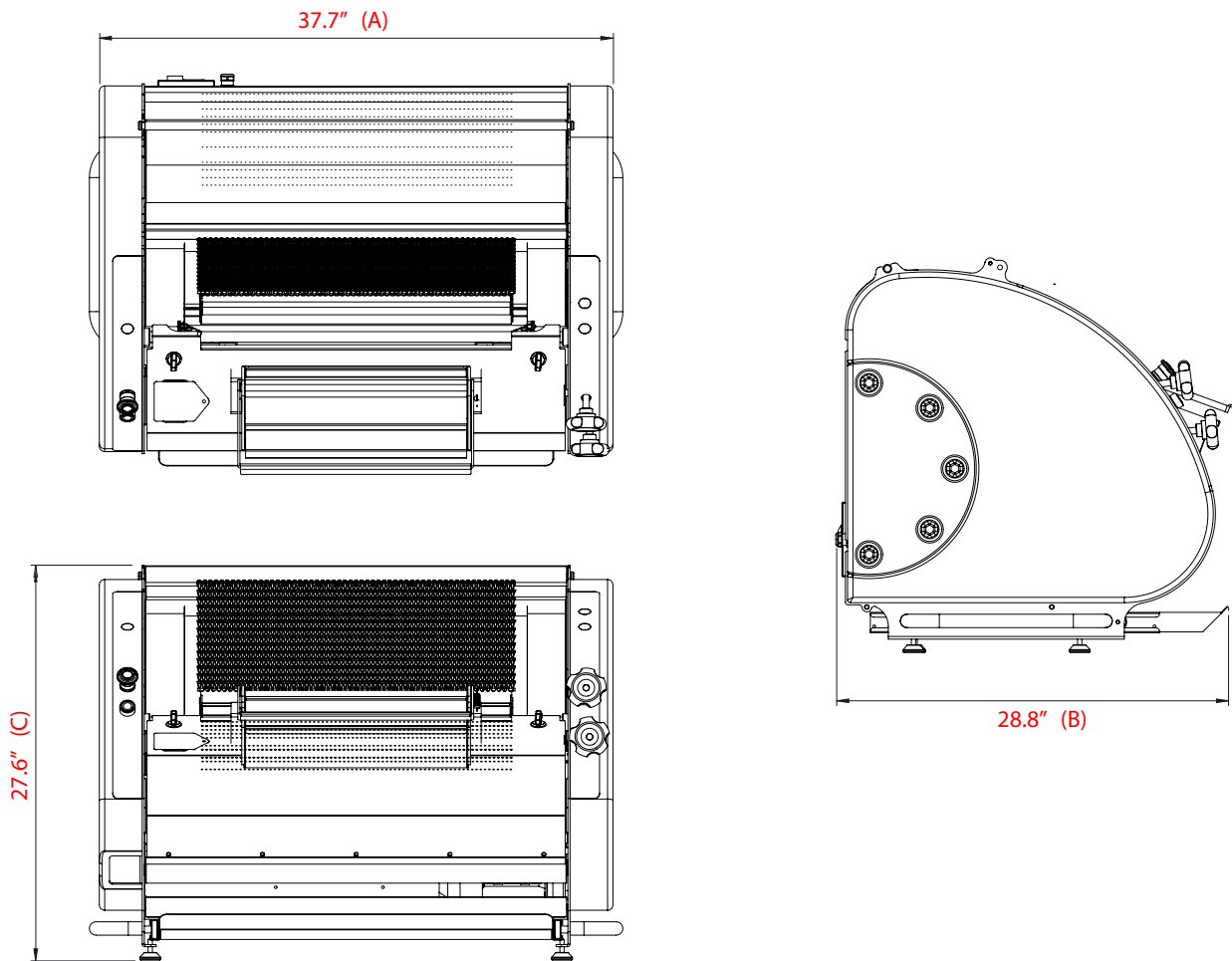
Increase your shops efficiency instantly with the addition of a **French Bread Moulder from Empire**. It's perfect for the production of baguettes, finger rolls, long-loaves, petit pans, hot dogs and various other sized breads and rolls. The **EMP-FB** utilizes three durable, non-stick sheeting rollers and dual belt-chain conveyor system to mould your product gently and consistently time after time. Capable of handling the production of loaves from 1.75-42.3 oz, this **French Bread Moulder** can help you produce up to 1,800 pcs/hr. The belt housings on the **EMP-FB** can be quickly disassembled making cleaning and maintenance a breeze, and the delivery tray folds away completely to facilitate easy storage. Perfect for locations where space is at a premium!

# Technical Data

## FRENCH BREAD MOULDER EMP-FB

Model	Dimensions			Production Capacity *	Weight Range	Electrical (220v/3Ph/60Hz)	Weight
	Width (A)	Depth (B)	Height (C)				
	in.	in.	in.		oz.	Amps	lbs.
EMP-FB	37.7	28.8	27.6	up to 1,800 pcs/hr	from 1.76 to 42.3 oz	2	430

\*Will vary based on the specific gravity of dough.



### LIMITED WARRANTY

This product is warranted to the original purchaser to be free from material and workmanship defects. This warranty extends for a period of one (1) year from the date of purchase on parts and labor and 90 days on electrical components. For additional information or if you have any questions, please do not hesitate to contact us toll free at 1-800-878-4070.

*Please note, specifications are subject to change without notice as we continually work to improve our equipment.*



1C Enterprise Place, Hicksville, NY 11801-5356 ♦ Ph: (516) 681-1500 ♦ Fx: (516) 681-1510  
 1-800-878-4070 ♦ www.empirebake.com ♦ info@empirebake.com