

## VARIABLE WIDTH BREAD SLICER **VARIA PRO**

### Features

- ◆ Slices up to 120 slices/minute - up to 120 loaves/hour
- ◆ Innovative Circular Blade Technology
- ◆ Variable Slicing Thicknesses from 3/16" to 1"
- ◆ Easily Handles Both Soft and Hard Breads
- ◆ Settings for Full or Half Loaf Slicing
- ◆ Eye Catching Ergonomic Design
- ◆ Full Safety Features
- ◆ Quiet, Trouble Free Operation
- ◆ Large Crumb Tray
- ◆ Supplied with Top Mounted Bagging Spade
- ◆ Heavy Duty Casters, Two Locking



### Options

- ◆ Stainless Steel Body
- ◆ Easy to Use Touch Keypad
- ◆ Bag Holder Available

### Circular Blade Bread Slicing System

The **VariaPRO Variable Bread Slicer** features circular blade technology that provides slicing thicknesses from 3/16" to over 1". Perfect for everything from soft pan breads to crusty artisans, dense ryes and more. Sturdy construction and sound proof design make for very quiet operation, while a variety of safety features make the **VariaPRO** easy and safe for even the most novice of users. Slice half a loaf thin and the other half thick - the choice is yours with the **VariaPRO Bread Slicer!**



# Technical Data

## VARIABLE WIDTH BREAD SLICER **VARIA PRO**

	VariaPRO 800	VariaPRO 1000
<b>FEATURES</b>		
Max. Loaf Dim. (L x W x H)	14 1/4" x 11 1/4" x 6 1/4"	17" x 11 1/4" x 6 1/4"
Slice Thickness	Variable from 3/16" - 1"	Variable from 3/16" - 1"
Power Output (in kW)	1.1	1.1
Electrical	220v/3Ph (3A)	220v/3Ph (3A)
Net Weight (in Lbs.)	484	506
Blade	16 1/2" Teflon-coated	16 1/2" Teflon-coated
<b>OPTIONS</b>		
Stainless Steel Body	•	•
Touch Key Pad	•	•
Bag Holder	•	•



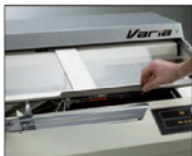
### Maintenance.

Easily accessibility for cleaning and crumb tray access



### Secure automatic claw

Automatic claw design - Bread claw will position your loaf for a perfect cut every time



### Safety cover

Varia Pro is loaded with safety features



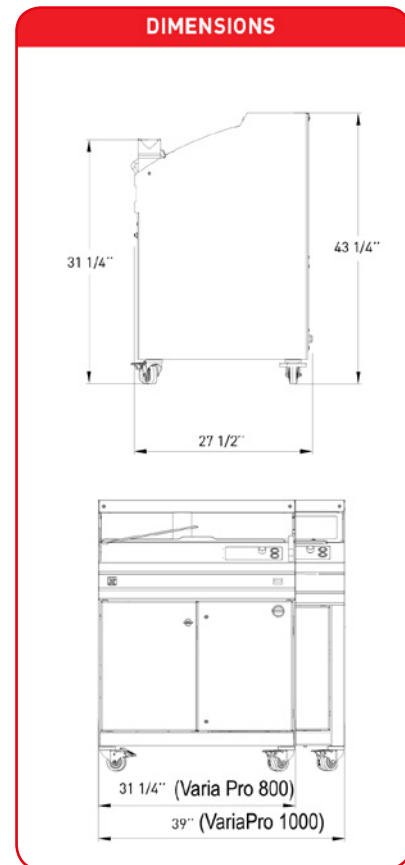
### Circular blade

Circular blade can cut through all hard crusted breads, very quick and quiet operation



### Bagger

Our bagging spade is conveniently located on the front left.



### LIMITED WARRANTY

This product is warranted to the original purchaser to be free from material and workmanship defects. This warranty extends for a period of one (1) year from the date of purchase on parts and labor and 90 days on electrical components. For additional information or if you have any questions, please do not hesitate to contact us toll free at 1-800-878-4070.

Please note, specifications are subject to change without notice as we continually work to improve our equipment.