

REAR LOAD BREAD SLICER **ECO+**

Features

- ◆ Slices up to 300 loaves/hour
- ◆ Designed to Fit Nicely Into the Smallest Working Areas
- ◆ Easily Slices Warm, Freshly Baked Bread Loaves
- ◆ Single or Continuous Loaf Slicing
- ◆ Adjustable Bread Hold Down System Accommodates Various Bread Heights
- ◆ Heavy-Duty Frames & Individual Tensioning Blades
- ◆ Quiet, Trouble Free Operation
- ◆ Large, Accessible Crumb Tray
- ◆ Heavy Duty Castors, Two Locking
- ◆ Standard Slice Thickness include 7/16" (11mm), 1/2" (13mm), & 5/8" (16mm)

Options

- ◆ Custom Slice Sizes from 3/8" (9mm) to 1" (25mm)
- ◆ ISC System for the regulation of pressure on the bread pusher
- ◆ High Performance Bag Blowing System



The Modern Classic

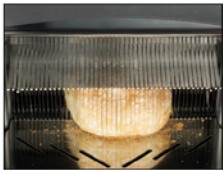
The **ECO+ Rear Load Bread Slicer** is a new twist on a classic design; redesigned to incorporate modern safety features and maintain old school reliability. It's easy to use with an increased sturdiness and noise reducing construction for nearly silent operation. The **ECO+** is available with the patented ISC System - an on-going automatic management system that slices your bread based on its consistency.



Technical Data

REAR LOAD BREAD SLICER **ECO+**

	ECO + 450	ECO+ 600
FEATURES		
Max. Loaf Dim. (L x W x H) (in inches)	17.25" x 12.5" x 6.25"	23.75" x 12.5" x 6.25"
Power Output (in kW)	0.49	0.49
Electrical	110v/1Ph (8.5A)	110v/1Ph (8.5A)
Net Weight (in Lbs.)	363	396
CHOICES AVAILABLE		
Slice Thickness (in inches)	3/8" to 1/4"	3/8" to 1/4"
Loaf Height	Low, Normal, High	Low, Normal, High
OPTION		
Height raised by 1 1/2"	•	•
Pressing plate pressure selector	•	•



Our patented ISC System (optional) allows you to determine the pressure on the bread pusher.



Rear safety cover opens automatically. Closing the cover starts the slicing cycle.



Crumb tray is easily accessible from the front of the slicer. With its perfect height, the tray can be emptied quickly and easily.

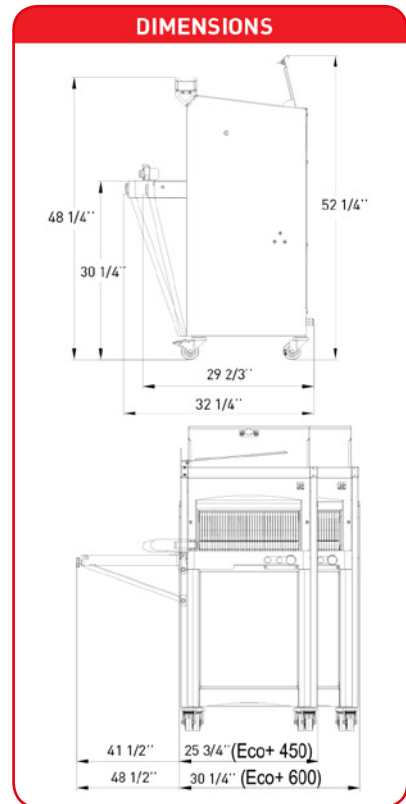


Side protection is designed to avoid any problems inside the bread placement housing.



As an option the ECO+ is fitted with a high performance blowing system that opens bags placed on the side tray.

The Eco+ has as optional high performance bag blowing system which saves both time and effort.



LIMITED WARRANTY

This product is warranted to the original purchaser to be free from material and workmanship defects. This warranty extends for a period of one (1) year from the date of purchase on parts and labor and 90 days on electrical components. For additional information or if you have any questions, please do not hesitate to contact us toll free at 1-800-878-4070.

Please note, specifications are subject to change without notice as we continually work to improve our equipment.



1C Enterprise Place, Hicksville, NY 11801-5356 ♦ Ph: (516) 681-1500 ♦ Fx: (516) 681-1510
1-800-878-4070 ♦ www.empirebake.com ♦ info@empirebake.com