

## CONICAL DOUGH ROUNDER **KONIK-1**

### Features

- ◆ Solid design and durable construction help to ensure minimal maintenance.
- ◆ Teflon coated channels and cone prevent sticking as dough is rounded.
- ◆ Easy to use control panel plate can be positioned to fit your needs.
- ◆ Stainless steel plating is sanitary and easy to clean.
- ◆ Removable stainless steel flour duster included.
- ◆ Heavy duty locking casters allow you to reposition easily, but secure the unit in place for production.
- ◆ Optional hot or cold air blowing system available.



### Consistent Rounding is the Key to Quality

Introducing **Empire's Konik Conical Dough Rounder**, the ideal conical rounder for both soft and medium doughs. Consistent rounding is achieved through the use of a Teflon coated rotating cone which moves the dough along concave channels to produce perfectly shaped dough balls in a wide range of sizes and weights.

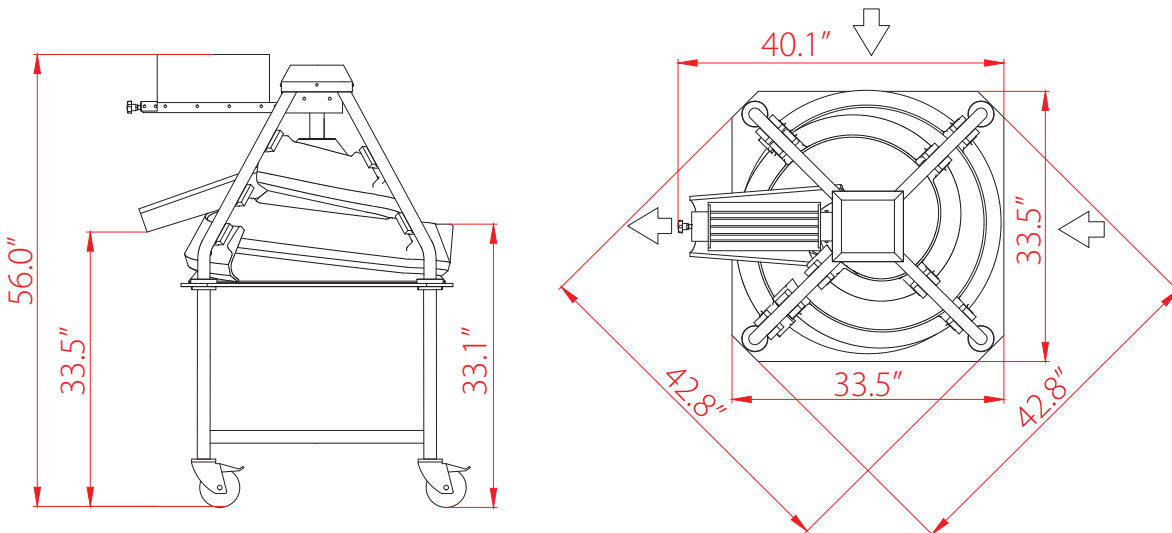
The **Konik Conical Dough Rounder** is equipped with an automatic flour duster which can easily be removed for cleaning. An optional hot or cold air blowing system can be included as well to allow for the processing of wet doughs. The solid design and durable construction of **Empire's Konik Conical Dough Rounder** help to ensure years of consistent, reliable production.

# Technical Data

## CONICAL DOUGH ROUNDER **KONIK-1**

Model	Production Capacity*	Weight Range	Power (220V/3ph/60Hz)		Weight	
			Standard	With Blower	Standard	With Blower
		oz.	amps	amps	lbs.	lbs.
Konik-1 (I)	up to 2,400 pcs/hr	3.53 - 17.64	3	9	540	575
Konik-1 (I-II)		7.05 - 42.33				
Konik-1 (II)		14.11 - 63.50				

\*Will vary based on the specific gravity of dough.



Teflon Coated Chute



Easy to Remove Flour Duster



Rotating Cone and Concave Channels

### LIMITED WARRANTY

This product is warranted to the original purchaser to be free from material and workmanship defects. This warranty extends for a period of one (1) year from the date of purchase on parts and labor and 90 days on electrical components. For additional information or if you have any questions, please do not hesitate to contact us toll free at 1-800-878-4070.

*Please note, specifications are subject to change without notice as we continually work to improve our equipment.*