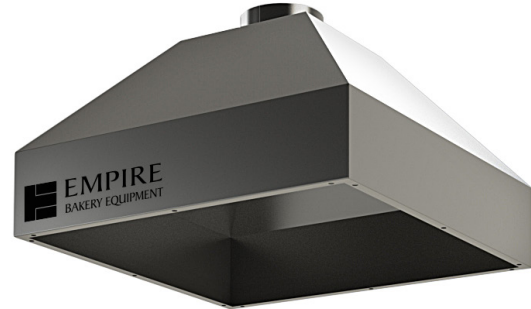


## BAGEL KETTLE & HOOD EMP-BK/KH

### Features

- ◆ Available in 25 and 45 Gallon Capacity
- ◆ Durable Stainless Steel Construction
- ◆ Removable Tank and Backsplash
- ◆ Body Insulated with Mineral Wool
- ◆ Heavy Duty Two-Ring Burner with Control Valve
- ◆ Perforated Tray (removable for easy cleaning)
- ◆ 2" Drain Line
- ◆ 8" Flue Outlet
- ◆ 6" Legs are both Sturdy and Adjustable
- ◆ ETL Approvals for both Safety and Sanitation (*BK-45 Models only*)



### Accessories

- ◆ Type II Hood with an 8" Vent Connection, Stainless Steel



*\*ETL Approvals for Model BK-45 only.*

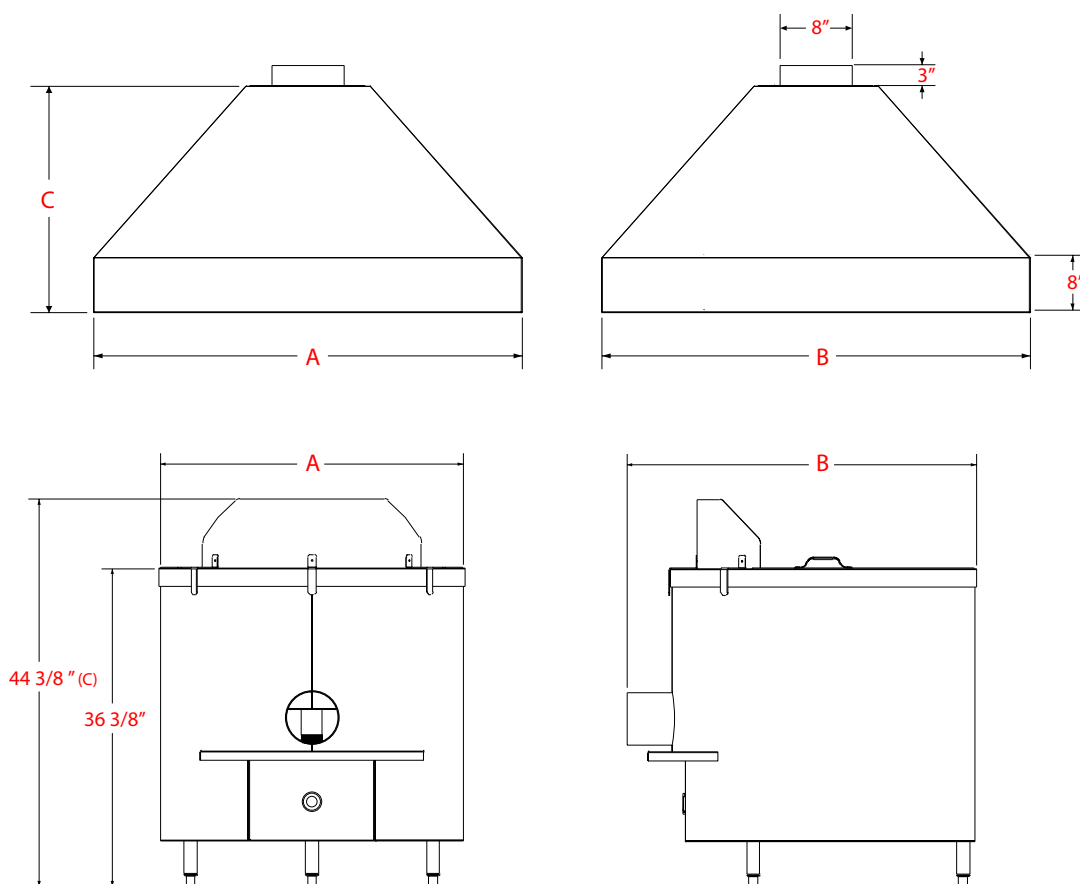
### Heavy Duty for Better Bagels

Nothing compares to a traditional boiled bagel! Empire's **EMP-BK Bagel Kettle** has been a staple in bagel shops around the world for over 25 years. Available in 25 and 45 gallon capacities, our stainless-steel kettle features a removable perforated tray for easy cleaning. The natural gas burner system is energy efficient and the fast recovery time allows you to consistently produce up to 4,000 bagels per hour. Durable construction and quality components will provide you with years of trouble-free operation.

# Technical Data

## BAGEL KETTLE & HOOD EMP-BK/KH

Model	Capacity	Dimensions			Weight	Gas		Drain	Flue Outlet
		Width (A)	Depth (B)	Height (C)		Connection	BTU/Hr.		
	gal	in	in	in	lbs	in		in	in
<b>KETTLE (EMP-BK)</b>									
EMP-BK25	25	27 7/8"	33 7/8"	44 3/8"	268	3/4"	120,000	2"	8"
EMP-BK45	45	34 5/8"	40"	44 3/8"	322	3/4"	180,000	2"	8"
<b>HOOD (EMP-KH)</b>									
EMP-KH25	-	36"	36"	20"	48	-	-	-	8"
EMP-KH45	-	47 1/2"	47 1/2"	33"	84	-	-	-	8"



*PLEASE NOTE: Must be installed on a level, non-combustable floor. Installations must adhere to all applicable codes. Please refer to your specific federal, state and local guidelines for details.*

### LIMITED WARRANTY

This product is warranted to the original purchaser to be free from material and workmanship defects. This warranty extends for a period of one (1) year from the date of purchase on parts and labor and 90 days on electrical components. For additional information or if you have any questions, please do not hesitate to contact us toll free at 1-800-878-4070.

*Please note, specifications are subject to change without notice as we continually work to improve our equipment.*



1C Enterprise Place, Hicksville, NY 11801-5356 ♦ Ph: (516) 681-1500 ♦ Fx: (516) 681-1510  
 1-800-878-4070 ♦ www.empirebake.com ♦ info@empirebake.com